

IEC Appliance Inlet C14, Snap-in Mounting, Solder, Quick-connect, Screw or PCB Terminal



See below:  
[Approvals and Compliances](#)

**Description**

- Panel mount :  
 Snap-in version , Front Side
- 1 Function
- Appliance Inlet , Pin temperature 70 °C , Protection class I
- Solder, quick-connect, screw, PCB

**References**

Alternative: protection class II version [6015](#)

**Weblinks**

[pdf data sheet](#), [html datasheet](#), [General Product Information](#), [Distributor-Stock-Check](#), [Accessories](#), [Detailed request for product](#), [Landing Page](#)

Newly available variants corresponding to V-Lock mating cordset. The connector is equipped with a notch intended for use with the latching cordset. The cord latching system prevents against accidental removal of the cordset.

**Technical Data**

|                                   |   |                         |  |
|-----------------------------------|---|-------------------------|--|
| Ratings IEC                       | 10A / 250VAC; 50Hz  | appliance inlet/-outlet | C14 acc. to IEC 60320-1<br>UL 60320-1, CSA C22.2 no. 60320-1<br>(for cold conditions) pin-temperature 70 °C, 10A, Protection Class I |
| Ratings UL/CSA                    | 15A / 250VAC; 60Hz  |                         |  |
| Dielectric Strength               | > 3 kVAC between L-N<br>> 1.5 kVAC between L/N-PE<br>(1 min/50Hz) |                         |  |
| Allowable Operation Temperature   | -25 °C to 70 °C   |                         |  |
| IP-Protection                     | from front side IP20 acc. to IEC 60529                            |                         |  |
| Protection against electric shock | Suitable for appliances with protection class I acc. to IEC 61140 |                         |  |
| Terminal                          | Solder, quick-connect, screw, PCB                                 |                         |  |
| Panel Thickness S                 | Snap-in version<br>0.8/1.0/1.2/1.5/2.0/2.5/3.0/4.0 mm             |                         |  |
| Material: Housing                 | PA6, black or grey, UL 94V-0                                      |                         |  |

**Approvals and Compliances**

Detailed information on product approvals, code requirements, usage instructions and detailed test conditions can be looked up in [Details about Approvals](#)

SCHURTER products are designed for use in industrial environments. They have approvals from independent testing bodies according to national and international standards. Products with specific characteristics and requirements such as required in the automotive sector according to IATF 16949, medical technology according to ISO 13485 or in the aerospace industry can be offered exclusively with customer-specific, individual agreements by SCHURTER.

**Approvals**




The approval mark is used by the testing authorities to certify compliance with the safety requirements placed on electronic products.

Approval Reference Type: 6010

| Approval Logo | Certificates                  | Certification Body | Description                              |
|---------------|-------------------------------|--------------------|--|
|               | <a href="#">VDE Approvals</a> | VDE                | Certificate Number: 40011871             |
|               | <a href="#">UL Approvals</a>  | UL                 | UL File Number: E96454                   |
|               | <a href="#">CCC Approvals</a> | CCC                | CCC Certificate Number: 2012010204574855 |


## Product standards

Product standards that are referenced

| Organization   | Design                | Standard              | Description   |
|--|-----------------------|-----------------------|---|
|  | Designed according to | IEC 60320-1           | Appliance couplers for household and similar general purposes         |
|  | Designed according to | UL 60320-1            | Standard for Attachment Plugs and Receptacles                         |
|  | Designed according to | CSA C22.2 no. 60320-1 | General Use Receptacles, Attachment Plugs, and Similar Wiring Devices |






## Application standards

Application standards where the product can be used

| Organization   | Design                         | Standard     | Description   |
|--|--------------------------------|--------------|---|
|  | Designed for applications acc. | IEC/UL 60950 | IEC 60950-1 includes the basic requirements for the safety of information technology equipment. |

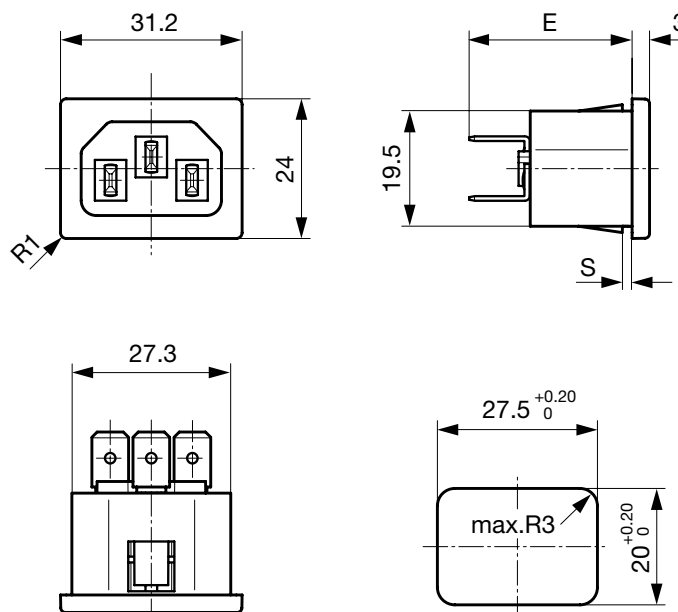
## Compliances

The product complies with following Guide Lines

| Identification   | Details                                      | Initiator   | Description  |
|--|--|-------------|--|
|    | <a href="#">CE declaration of conformity</a> | SCHURTER AG | The CE marking declares that the product complies with the applicable requirements laid down in the harmonisation of Community legislation on its affixing in accordance with EU Regulation 765/2008.                        |
|    | RoHS   | SCHURTER AG | Directive RoHS 2011/65/EU, Amendment (EU) 2015/863   |
|    | China RoHS                                   | SCHURTER AG | The law SJ / T 11363-2006 (China RoHS) has been in force since 1 March 2007. It is similar to the EU directive RoHS.   |
|   | REACH  | SCHURTER AG | On 1 June 2007, Regulation (EC) No 1907/2006 on the Registration, Evaluation, Authorization and Restriction of Chemicals 1 (abbreviated as "REACH") entered into force.  |
|  | <a href="#">Landing Page V-Lock</a>          | SCHURTER AG | V-Lock system are based on a matching plug-dose combination. The connector is equipped with a notch intended for use with the latching cordset. The cord latching system prevents against accidental removal of the cordset. |

## Dimensions [mm]

Quick connect or solder terminals



E: Quick-connect terminals 4.8x0.8 mm: 27.0 mm

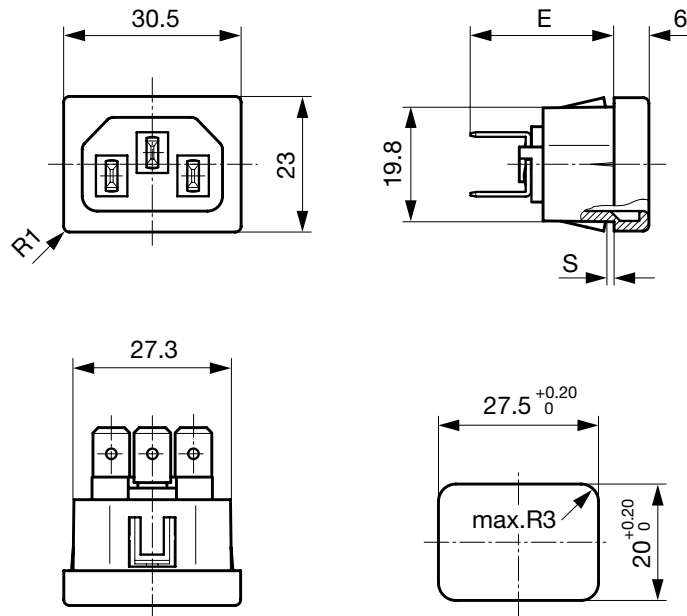
E: Quick-connect terminals 6.3x0.8 mm: 28.0 mm

E: Solder terminals short: 22.5 mm

E: Solder terminals long: 26.2 mm

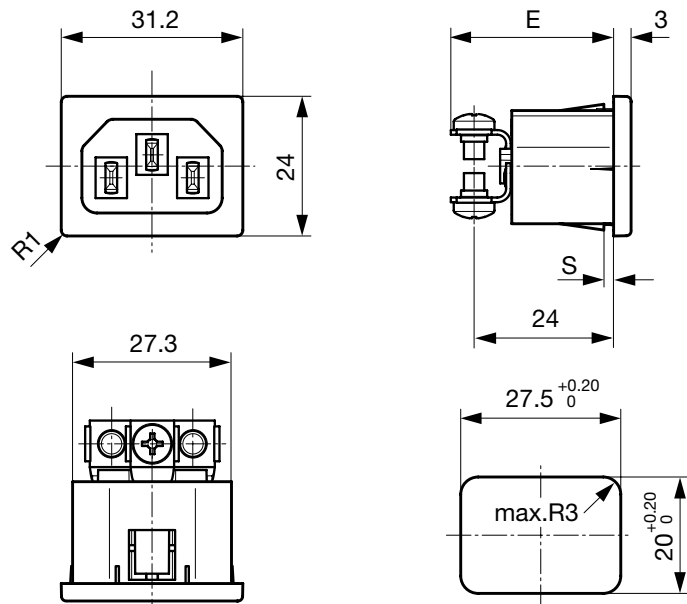
Dimension "S" please ref. to table order code

Quick-connect or solder terminals, housing for V-Lock



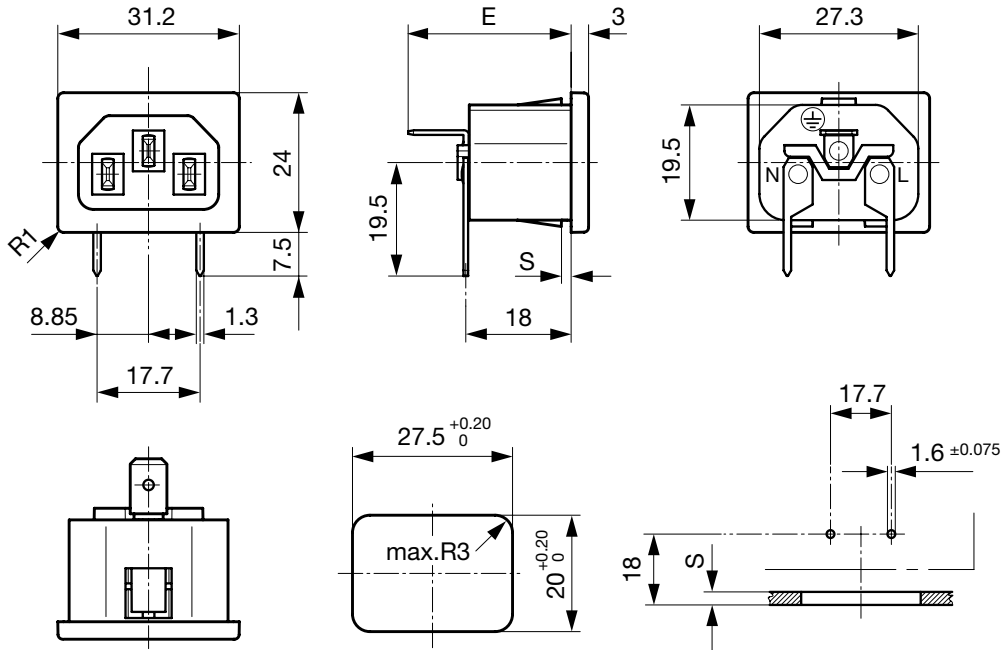
- E: Quick-connect terminals 4.8x0.8 mm: 23.8 mm
- E: Quick-connect terminals 6.3x0.8 mm: 24.8 mm
- E: Solder terminals short: 19.3 mm
- E: Solder terminals long: 23.0 mm
- Dimension "S" please ref. to table order code

Bolts and nuts



- E: Screw terminals M3.5: 28.0 mm
- Dimension "S" please ref. to table order code

PCB terminals



E: Quick-connect terminals 4.8x0.8 mm: 27.0 mm  
 E: Quick-connect terminals 6.3x0.8 mm: 28.0 mm  
 E: Solder terminals short: 22.5 mm  
 E: Solder terminals long: 26.2 mm  
 E: Screw terminals M3.5: 28.0  
 Dimension "S" please ref. to table order code

Config. Code

6010 - H - A B C 0 - D - E G O

The characters are placeholders for the correspondingly keys of selections from the key tables.

6010 - H - A B C 0 - D - E G O = Type

| Type               | Configuration key |
|--------------------|-------------------|
| protection class I | X                 |

| Terminal L                    | Configuration key |
|-------------------------------|-------------------|
| Blade terminal (6.3 x 0.8 mm) | 9                 |
| screw terminal                | A                 |

6010 - H - A B C 0 - D - E G O = Terminals

| Terminal L   | Configuration key |
|--|-------------------|
| short solder terminal (L = 4.8 mm)                 | 2                 |
| long solder terminal (L = 8.5 mm)                  | 3                 |
| PCB-terminal standard (additional solder terminal) | 4                 |
| Blade terminal (4.8 x 0.8 mm)                      | 8                 |

6010 - H - A B C 0 - D - E G O = Terminals

| Terminal N   | Configuration key |
|--|-------------------|
| short solder terminal (L = 4.8 mm)                 | 2                 |
| long solder terminal (L = 8.5 mm)                  | 3                 |
| PCB-terminal standard (additional solder terminal) | 4                 |
| Blade terminal (4.8 x 0.8 mm)                      | 8                 |
| Blade terminal (6.3 x 0.8 mm)                      | 9                 |
| screw terminal                                     | A                 |

Symbols similar as in table A

6010 - H - A B C 0 - D - E G O = Terminals

| Terminal Ground                    | Configuration key |
|------------------------------------|-------------------|
| short solder terminal (L = 4.8 mm) | 2                 |
| long solder terminal (L = 8.5 mm)  | 3                 |
| Blade terminal (4.8 x 0.8 mm)      | 8                 |
| Blade terminal (6.3 x 0.8 mm)      | 9                 |
| screw terminal                     | A                 |

Symbols similar as in table A

6010 - H - A B C 0 - D - E G O = Color

| Color | Configuration key |
|-------|-------------------|
| Black | A                 |
| Grey  | B                 |

6010 - H - A B C 0 - D - E G O = Style

| Style                       | Configuration key |
|-----------------------------|-------------------|
| snap-in (s=panel thickness) | 4                 |

6010 - H - A B C 0 - D - E G O = Dimension S

| Dimension "S" | Configuration key |
|---------------|-------------------|
| 08            |                   |
| 10            |                   |
| 12            |                   |
| 15            |                   |
| 20            |                   |
| 25            |                   |
| 30            |                   |
| 40            |                   |

The dimension "S" is displayed in (1/10 mm). This information is also valid for the order code

6010 - H - A B C 0 - D - E G O = Features

| Features       | Configuration key |
|----------------|-------------------|
| without V-Lock | 0                 |
| V-Lock         | V                 |

All Variants

| Terminals L / N                    | Terminal Ground                    | Color | Panel Thickness s [mm] | Features | Config. Code       | Order Number |
|------------------------------------|------------------------------------|-------|------------------------|----------|--------------------|--------------|
| short solder terminal (L = 4.8 mm) | short solder terminal (L = 4.8 mm) | black | 1                      | -        | 6010-X-2220-A-4100 | 6162.0012    |
| Blade terminal (4.8 x 0.8 mm)      | Blade terminal (4.8 x 0.8 mm)      | black | 1                      | -        | 6010-X-8880-A-4100 | 6162.0019    |
| Blade terminal (6.3 x 0.8 mm)      | Blade terminal (6.3 x 0.8 mm)      | black | 1                      | -        | 6010-X-9990-A-4100 | 6162.0023    |
| Blade terminal (6.3 x 0.8 mm)      | Blade terminal (6.3 x 0.8 mm)      | black | 1.5                    | -        | 6010-X-9990-A-4150 | 6162.0024    |
| Blade terminal (6.3 x 0.8 mm)      | Blade terminal (6.3 x 0.8 mm)      | black | 2                      | -        | 6010-X-9990-A-4200 | 6162.0025    |
| long solder terminal (L = 8.5 mm)  | long solder terminal (L = 8.5 mm)  | black | 1                      | -        | 6010-X-3330-A-4100 | 6162.0085    |
| Blade terminal (4.8 x 0.8 mm)      | Blade terminal (4.8 x 0.8 mm)      | black | 1.5                    | V-Lock   | 6010-X-8880-A-415V | 6162.0155    |
| Blade terminal (6.3 x 0.8 mm)      | Blade terminal (6.3 x 0.8 mm)      | black | 1.5                    | V-Lock   | 6010-X-9990-A-415V | 6162.0156    |
| short solder terminal (L = 4.8 mm) | short solder terminal (L = 4.8 mm) | black | 1                      | V-Lock   | 6010-X-2220-A-410V | 6162.0161    |
| Blade terminal (4.8 x 0.8 mm)      | Blade terminal (4.8 x 0.8 mm)      | black | 1                      | V-Lock   | 6010-X-8880-A-410V | 6162.0162    |
| Blade terminal (4.8 x 0.8 mm)      | Blade terminal (4.8 x 0.8 mm)      | black | 2.5                    | V-Lock   | 6010-X-8880-A-425V | 6162.0165    |

The listet variants should be available from stock Other versions on request [www.schurter.com/contact](http://www.schurter.com/contact)

Most Popular.

Availability for all products can be searched real-time: <https://www.schurter.com/en/Stock-Check/Stock-Check-SCHURTER>

Packaging unit 50 Pcs

Accessories

Description



Assorted Covers  
 Rear Cover

Mating Outlets/Connectors

Category / Description

[Appliance Outlet Overview complete](#)



|  |      |
|--|------|
| 4787, Mounting: Screw-on mounting, Appliance Outlet: IEC Solder terminals, 10 A, Suitable for appliances with protection class I | 4787 |
|--|------|

|   |      |
|---|------|
| 4788, Mounting: Snap-in version, Appliance Outlet: IEC Solder terminals or quick connect terminals, 10 A, Suitable for appliances with protection class I | 4788 |
|---|------|

|   |      |
|---|------|
| IEC Appliance Outlet F or H, Screw-on Mounting, Front Side, Solder, PCB or Quick-connect Terminal | 5091 |
|---|------|

[Appliance Outlet further types to 6010](#)

[Connector Overview complete](#)



|  |      |
|--|------|
| 4022 Mounting: Power Supply Cord, 3 x 1.5 mm <sup>2</sup> , Screw clamps, Connector: IEC C13 | 4022 |
|--|------|

|  |      |
|--|------|
| 4782 Mounting: Power Cord, 3 x 1 mm <sup>2</sup> / 3 x 18 AWG, Cable, Connector: IEC C13 | 4782 |
|--|------|

|  |      |
|--|------|
| 4012 Mounting: Power Supply Cord, 3 x 1 mm <sup>2</sup> , Screw clamps, Connector: IEC C13 | 4012 |
|--|------|

|  |      |
|--|------|
| 4785 Mounting: Power Cord, 3 x 1 mm <sup>2</sup> / 3 x 18 AWG, Cable, Connector: IEC C13 | 4785 |
|--|------|

|   |         |
|---|---------|
| 4300-06 Mounting: Power Cord, 3 x 1 mm <sup>2</sup> / 3 x 18 AWG, Cable, Connector: IEC C13 | 4300-06 |
|---|---------|

[Connector further types to 6010](#) ...

Mating Outlets/Connectors shuttered



[Power Cord Overview complete](#)

|   |         |
|---|---------|
| VAC13KS, Overview, V-Lock cord retaining, diverse Connector IEC C13, diverse, black | VAC13KS |
|---|---------|

[Power Cord further types to 6010](#)