

1 Products affected

Product hierarchy no. *			Part no.	SBU	Type / Description	Customer part no.
SBU / PG	PGU	Type				
03	009	010	0000003008	1301.9503	Switches	LPV

*SBU (2-digit) / PG (3-digit) / PGU (3-digit) / Type (10-digit)

2 Type of change

Specific values, dimensions and appearance

New country of origin (old: Republik Korea – KR / new: China – CN)

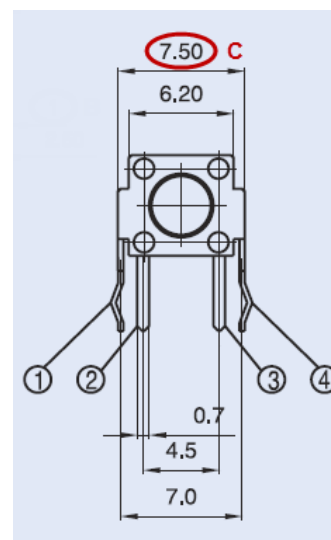
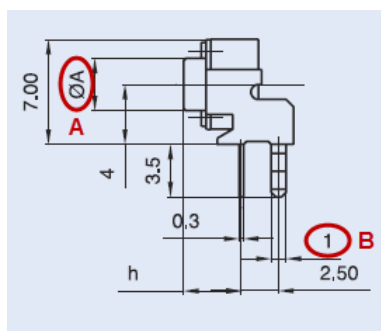
3 Detailed description of change

Specific values:

	Old	New
Contact resistance (after 10⁵ cycles)	100mΩ max.	200mΩ max.
Bounce time	--- max.	0.1ms typ.
Mechanical strength	50N / 3sec.	30N / 15sec.
Soldering resistance	260°C / 3sec.	280°C / 3sec.
Operating temperature	-20° to +70°C	-16° to +60°C
Storage temperature	-30° to +85°C	-23° to +66°C

Dimensions:

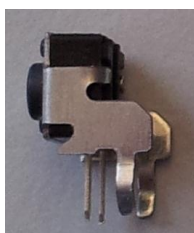
Part no.	Dimension old	Dimension new	Dimension old	Dimension new	Dimension old	Dimension new
	A [mm]	A [mm]	B [mm]	B [mm]	C [mm]	C [mm]
1301.9503	∅ 3.3	∅ 3.5	1.0	0.8	7.5	7.4



Tolerance: [mm]
Up to 5 +/- 0.2
5 to 30 +/- 0.3

LPV					0118.2096	
creation date	created by	release date	released by	notification no.	revision	page
2012-12-17	bisanger	2013-01-22	bisanger	24273	-	1 of 2

Appearance:



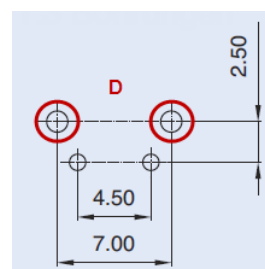
old



new

PCB layout:

	Dimension old [mm]	Dimension new [mm]
D	Ø 1.3	Ø 1.1



Tolerance: [mm]
Up to 5 +/- 0.2
5 to 30 +/- 0.3

4 Reason for change

Production site moved from South Korea to People's Republic of China

5 Released date

Release for series production

ww 05/2013

6 Impact of change and recommended action

Form: Yes, see chapter 3
Fit: Yes, see chapter 3
Function: Yes, see chapter 3
Production Site: Yes, see chapter 4
Product Label: Yes, new country of origin (CN)

LPV					0118.2096	
creation date	created by	release date	released by	notification no.	revision	page
2012-12-17	bisanger	2013-01-22	bisanger	24273	-	2 of 2